



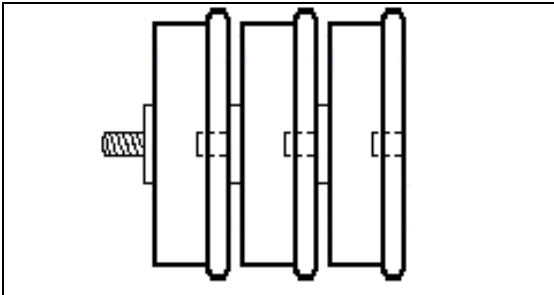
180 Lafayette Road
 North Hampton, NH 03862-2448
 PH: 603-964-3165
 FX: 603-964-3168
 WWW.PDEELECTRONICS.COM

Rectifier Assembly

High Voltage Doorbell Assembly
 Standard, Fast, and Ultra Fast Recovery
 HGE, HGF, HGU, HGEF Series

DESCRIPTION

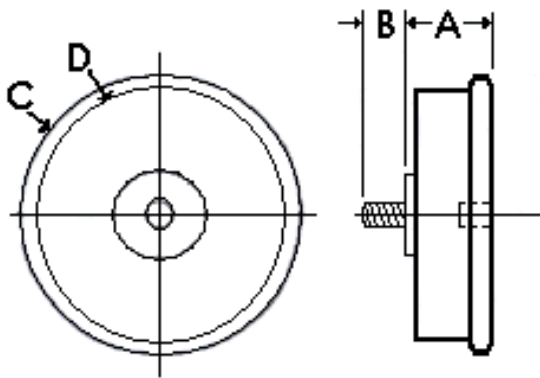
This series of high-voltage, high current stacks incorporate a unique design that allows for high power applications such as charge, hold-off and clipper diodes. This design allows stacking of multiple units when higher voltages are necessary.



ELECTRICAL SPECIFICATIONS (at 25°C unless noted)					MAXIMUM RATINGS	
Type	PIV	Maximum Forward Drop Per Leg	Leakage Current @ PIV	Maximum Reverse Recovery Time ⁽¹⁾⁽²⁾	Maximum Average D.C. Output Current	Non-Repetitive Sinusoidal Surge (8.3ms) T _C = 100°C
	kV		µA		nS	
Standard Recovery						
HGE2.5	2.5	3.3V @ 8A	10		8.0	200
HGE5	5.0	5.5V @ 8A	10	-	8.0	200
Fast Recovery						
HGEF2.5	2.5	3.6V @ 3.0A	5.0	350	3.0	200
HGEF5	5.0	6V @ 3.0A	5.0	350	3.0	200
HGF2.5	2.5	5.2V @ 8A	10	250	8.0	150
HGF5	5.0	9.0V @ 8A	10	250	8.0	150
Ultra Fast Recovery						
HGU2	2.0	6.0V @ 10A	10	50	10	250

- 1) Tested on discrete devices prior to assembly.
 2) Conditions I_F=0.5A, I_R=1A, I_{RR}=0.25A

MECHANICAL SPECIFICATIONS



DIMENSIONS			
Dim	Inches		Note
	Min	Max	
A	-	1.020	
B	-	.316	
C	-	3.487	Dia
D	-	3.02	Dia
.375-24 Thread			

POLARITY

Cathode connected to base

MARKING:

Part number using epoxy ink

THERMAL CHARACTERISTICS

Operating and Storage Temperature.....-55°C to +150°C